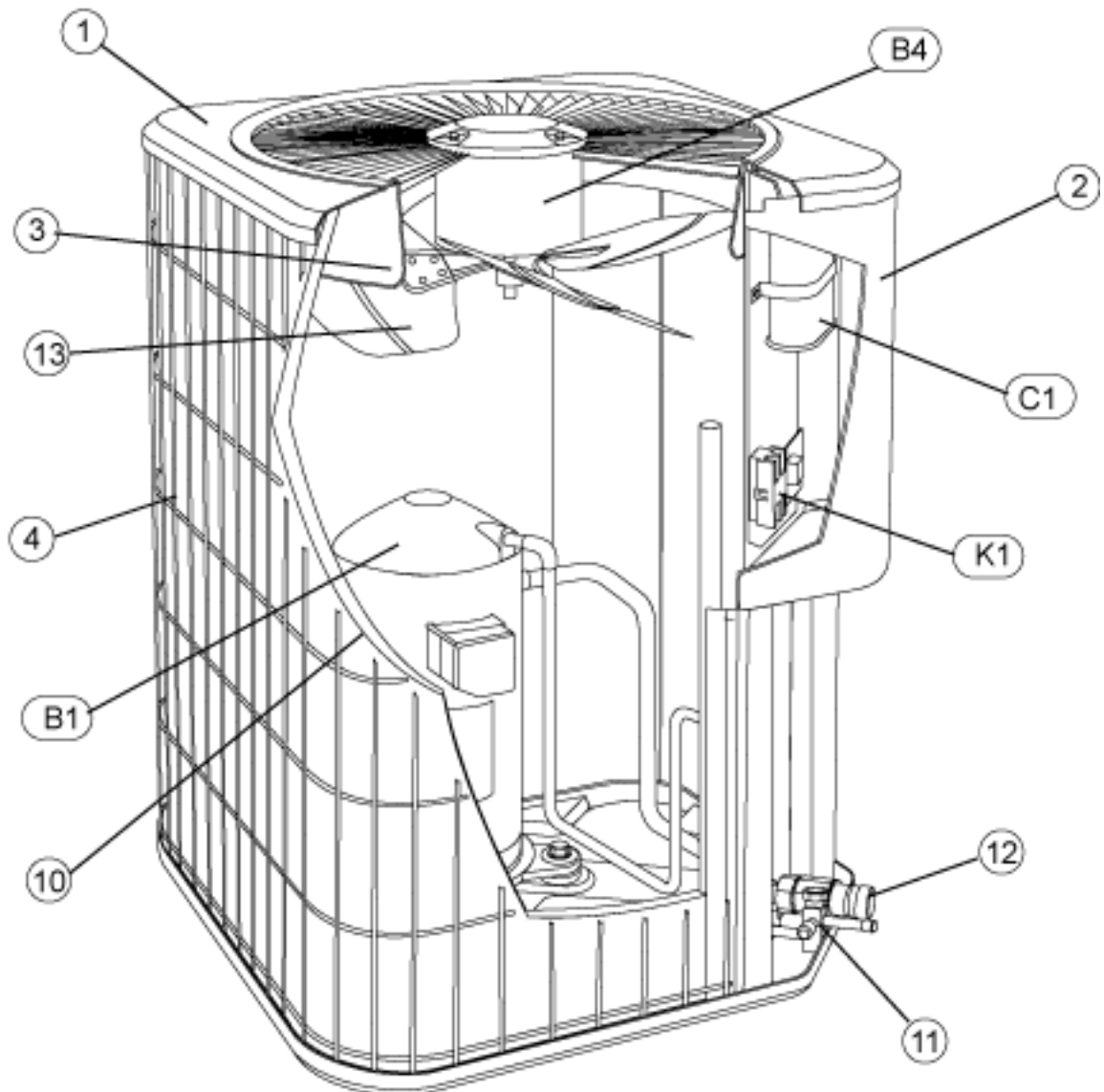


TSA SERIES



TSA048S4				DASH/Revision # with Qty			
Key	Part Name	Part Number	Description	1	2	3	10
Category:CABINET PARTS							
1	PANEL-TOP	102075-01	TOP - PANEL 28 X 28				1
1	PANEL-TOP	LB-86264G	TOP PANEL 28X28 (QUARTZ GRAY)	1	1	1	
2	COVER-CONTROL BOX	102072-01	COVER - CONTROL PANEL				1
2	COVER-CONTROL BOX	LB-86268G	COVER-CONTROL PANEL (QUARTZ GRAY)		1	1	
2	COVER-CONTROL BOX	LB-86271G	COVER-CONTROL PANEL (QUARTZ GRAY)	1			
3	ORIFICE	100001-01	"22" ""	1	1	1	1
4	GUARD	100315-06	OUTDOOR COIL		1	1	1
4	GUARD	100315-10	OUTDOOR COIL	1			
	COVER	102098-01	PATCH PLATE				1
	COVER	69J0301	SOUND-COMPRESSOR (OPTIONAL)	1	1	1	1
	LEG	LB-87156A	BASE(SET OF 4)	1	1	1	1
	MESHING-COIL	100231-42	"39" X 109" (CUT OT FIT)"	1	1	1	1
	NUT-CAP	100094-01	TOP PANEL	4	4	4	4
	PUSH PIN-MESHING	100230-05	PIN: PUSH	6	6	6	
	PUSH PIN-MESHING	100230-06	PIN-PUSH				6
Category:COOLING PARTS							
10	COIL-OUTDOOR	LB-87170CX	W/MANIFOLD	1			
10	COIL-OUTDOOR	LB-87170DP	W/MANIFOLD		1	1	1
	KIT-PISTON	100484-30	RFC (.082)				1
11	VALVE-SERVICE	100432-01	"LIQUID-LINE,3/8" ""	1	1	1	1
12	VALVE-SERVICE	100609-02	"SUCTION LINE,7/8" ""	1	1	1	1
13	FAN	100060-21	"1/2" BORE,22" DIA,4 BLADE"	1	1	1	1
B1	COMPRESSOR	100040-17	"3.5 TON,208-230/60/3,COPE (FOOTNOTE 1)	1	1	1	1
B1	COMPRESSOR	100040-18	"3.5 TON,460/60/3,COPE (FOOTNOTE 1)"	1	1	1	1

TSA048S4				DASH/Revision # with Qty			
Key	Part Name	Part Number	Description	1	2	3	10
B1	COMPRESSOR	100040-21	"3.5 TON,575/60/3,COPE (FOOTNOTE 1)"	1	1	1	1
			RELAY-OVERLOADCOMP-INTERNAL	1	1	1	1
	HARNESS-COMP	15M3601	MOLDED PLUG	1	1	1	1
	MOUNT PKG-COMP	15J1301PR	MOUNT PKG-COMP	1	1	1	1
B4	MOTOR-FAN	100483-05	MOTOR (FAN) 1/4 HP	1	1	1	1
B4	MOTOR-FAN	100483-09	"1/4HP, 825RPM,460/60/1 (460V & 575V)"	1	1	1	1
	CORE-VALVE	100210-01	CORE - VALVE	1	1	1	1
	DRIER	100214-03	"LIQUID LINE(OPT REPLACEMENT) (FOOTNOTE	1	1	1	1
	DRIER	88K4501	SUCTION LINE(OPT REPLACEMENT)	1	1	1	1
	FITTING-PRESS TAP	100520-01	PRESSURE TAP	1	1	1	1
HR1	HEATER-CRANKCASE	100499-02	"40 WATT, 240 VOLT"	1	1	1	1
HR1	HEATER-CRANKCASE	100499-11	"40 WATT, 480 VOLT"	1	1	1	1
HR1	HEATER-CRANKCASE	100499-12	"70 WATT, 575 VOLT"	1	1	1	1
S4	SWITCH-HI PRESS-MA NUAL	100103-03	CUTOUT 590 PSIG	1	1	1	1
S40	THERMOSTAT SPST OP EN@70°F CLOSE@50°F 40"	100503-01	"CC HEATER, OPEN 70F, CLOSE 50F (208-2		1	1	1
Category:CONTROL PANEL PARTS							
C1	CAPACITOR-FAN	100600-01	"5MFD, 370VAC (460V & 575V)"	1	1	1	1
C12	CAPACITOR-RUN	100600-03	"10MFD,370VAC (208/230V)"	1	1	1	1
K1	CONTACTOR-3PDT 25F LA/35RES	100438-03	"3PDT,24V"	1	1	1	1
T4	TRANSFORMER	13H7901	"575V PRI, 460V SEC, 1.5 KVA"	1	1	1	1
Category:*OPTIONAL PARTS-FIELD INSTALLED							
LC KIT	LOSS OF CHARGE KIT	LB-110135A	INC NEXT PART	1	1	1	1
	SWITCH-PRESS	100216-01	"IN 55 PSIG,OUT 25 PSIG"	1	1	1	1

NOTE

Note1: Compressor uses POE oil. The filter drier MUST BE replaced at time of compressor change. Please advise customer of this requirement.