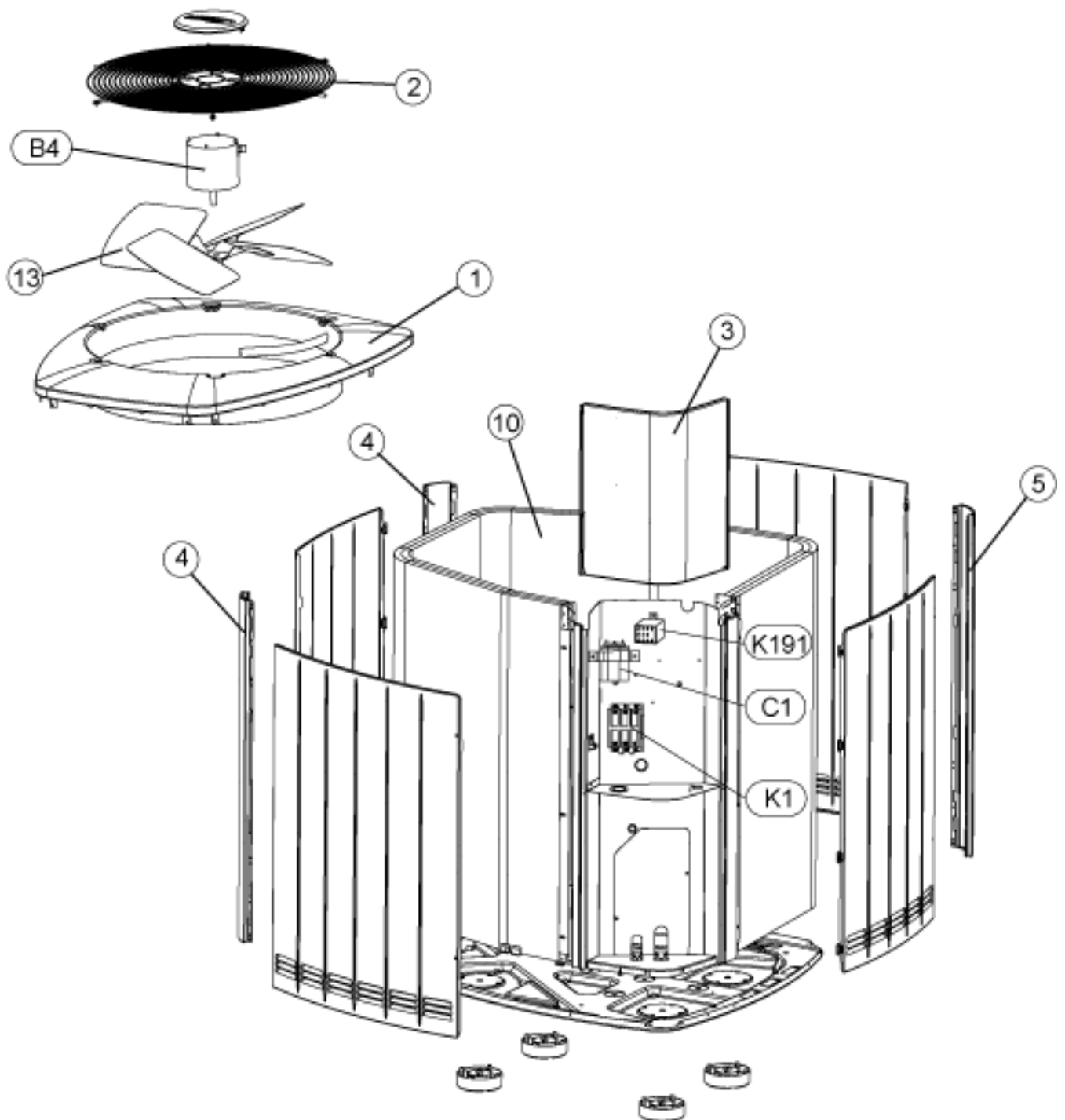
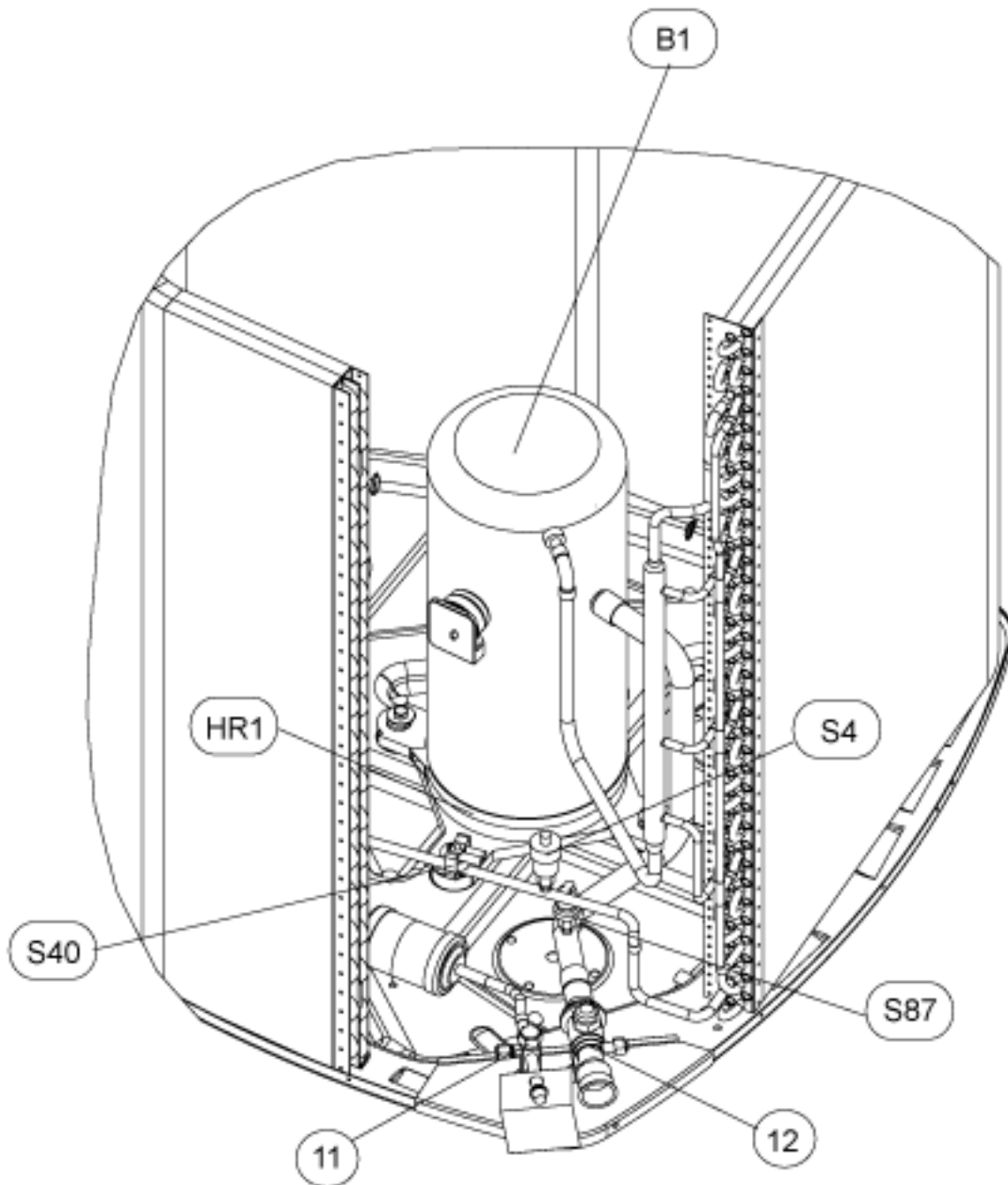


### SSB SERIES



### SSB SERIES



SSB048H4S4				DASH/Revision # with Qty		
Key	Part Name	Part Number	Description	1	2	3
Category:CABINET PARTS						
1	PANEL-TOP	LB-107684	PANEL - TOP (MEDIUM)	1	1	1
2	GRILLE-DISCHARGE	100062-02	GRILLE (DISCHARGE)	1	1	1
3	COVER-CONTROL BOX	LB-108273	COVER-CONTROL BOX (MEDIUM)	1	1	1
	COVER	LB-86272G	PATCH PLATE	1	1	1
	PANEL	LB-107754-36	4 LOUVER	1	1	1
	PANEL	LB-107756-36	6 LOUVER	1	1	1
	PANEL	LB-107758-36	8 LOUVER	1	1	1
	PANEL-FRONT	LB-107755-36	5 LOUVER	1	1	1
4	CORNER POST	LB-107737-36	FRONT	2	2	2
5	CORNER POST	LB-107738-36	REAR	1	1	1
	COVER	69J0301	SOUND-COMPRESSOR (OPTIONAL)	1	1	1
	LEG	101262-01	BASE (Y VOLTAGE)		4	
	NUT-CAP	100094-01	MOTOR	4	4	4
	LEG	100007-01	BASE (G VOLTAGE)	4	4	
Category:COOLING PARTS						
S4	SWITCH-HI PRESS-AU TO	100087-12	SWITCH -HI PRESS - AUTO (AFTER 4/2/12)	1	1	
10	COIL-OUTDOOR	LB-110660K	W/MANIFOLD	1	1	1
11	VALVE-SERVICE	100432-01	"LIQUID LINE, 3/8""	1	1	1
12	VALVE-SERVICE	100432-03	"SUCTION LINE, 7/8""	1	1	1
13	FAN	100060-10	"1/2""BORE,22""DIA,4 BLADE"	1	1	1
B1	COMPRESSOR	69M7201	"3.5 TON,208-230/60/3,COPE (FOOTNOTE 1	1	1	
B1	COMPRESSOR	69M7501	"3.5 TON,460/60/3,COPE (FOOTNOTE 1)"	1	1	1
			RELAY-OVERLOADCOMP-INTERNAL	1	1	1
	HARNESS-COMP	15M3601	MOLDED PLUG-POWER	1	1	1

SSB048H4S4				DASH/Revision # with Qty		
Key	Part Name	Part Number	Description	1	2	3
	HARNESS-COMP	38M4801	MOLD PLUG FOR 2ND STAGE	1	1	1
	MOUNT PKG-COMP	54M63	LB-106528 COMPRESSOR MTG KIT	1	1	1
B4	MOTOR-FAN	100483-05	"1/4HP, 825 RPM,208-230/60/1"	1	1	
B4	MOTOR-FAN	100483-09	"1/4HP, 825 RPM,460/60/1"	1	1	1
HR1	HEATER-CRANKCASE	100499-03	"240 VOLT, 70 WATT"	1	1	
HR1	HEATER-CRANKCASE	100499-08	"480 VOLT, 70 WATT"	1		
HR1	HEATER-CRANKCASE	100499-11	"480 VOLT, 40 WATT"		1	1
S4A	SWITCH-HI PRESS	100103-01	SWITCH - HI PRESS - MANUAL (PRE 4/2/12)	1	1	1
	SWITCH-HI PRESS-AUTO	100087-12	SWITCH -HI PRESS - AUTO (AFTER 4/2/12)			1
S40	THERMOSTAT SPST OPEN@70°F CLOSE@50°F 40"	100503-01	"CC HEATER OPEN 70F, CLOSE 50F"	1	1	1
S87	SWITCH-LO PRESS	100087-03	"IN 90 PSIG, OUT 40 PSIG"	1	1	1
	CORE-VALVE	100210-01	CORE - VALVE	2	2	2
	DRIER	100214-03	LIQUID LINE (FOOTNOTE 1)	1	1	1
	DRIER	88K4501	SUCTION LINE (OPTIONAL)	1	1	1
	FITTING-PRESS TAP	100520-01	FITTING - PRESSURE TAP (BRASS)	2	2	2
Category:CONTROL PANEL PARTS						
C1	CAPACITOR-FAN	100600-01	"5MFD,370VAC (460V)"	1	1	1
C1	CAPACITOR-RUN	100600-03	"10MFD,370VAC (208-230V)"	1	1	
	SWITCH-HI PRESS-AUTO	100087-12	SWITCH -HI PRESS - AUTO (AFTER 4/2/12)			
K1	CONTACTOR-3PDT 25FLA/35RES	100438-03	"3PDT,24V"	1	1	1
K191	RELAY	56L6801	"SPDT, 24V (460 VOLT)"		1	1

NOTE

Note1:Compressor uses POE oil. The filter drier MUST BE replaced at time ofcompressor change. Please advise customer of this requirement