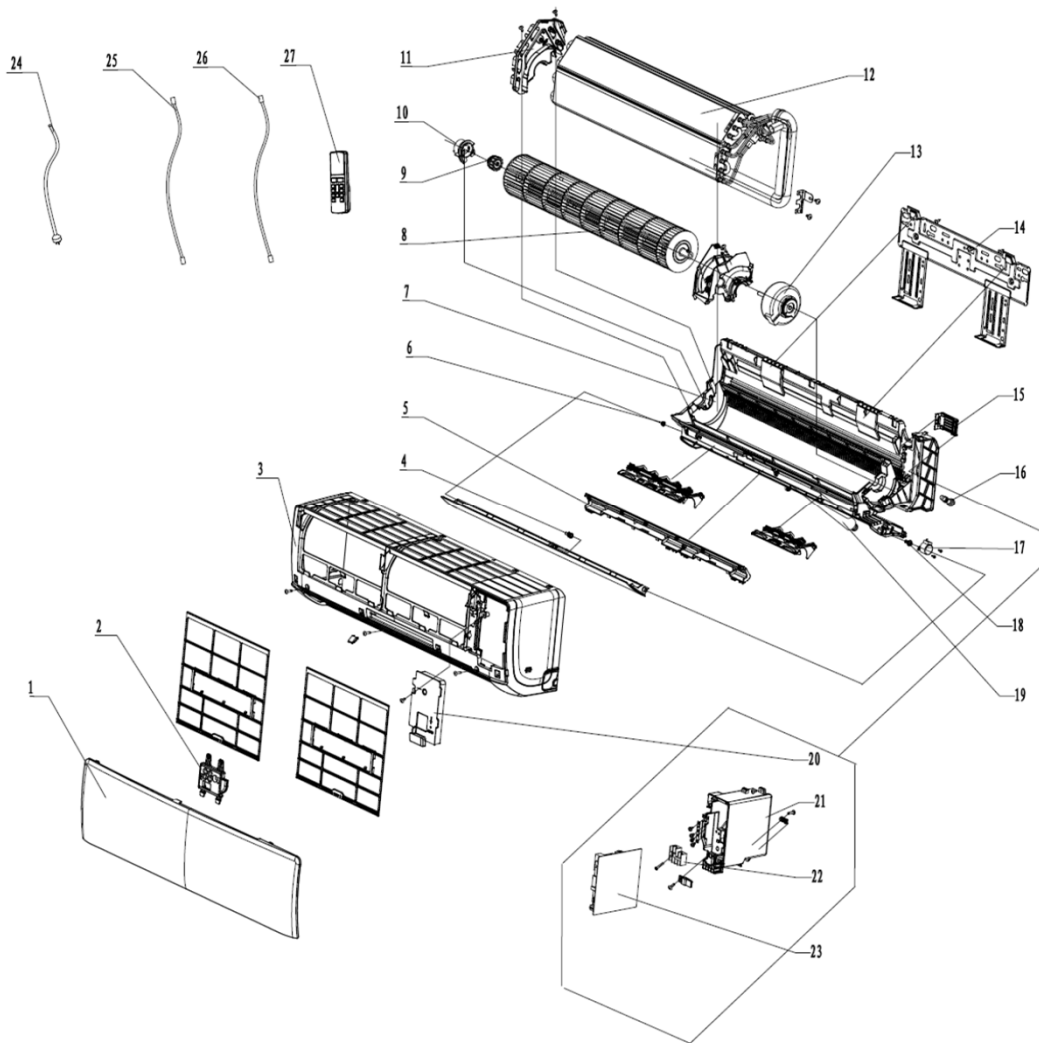


## Exploded View

Product Model:GWC12AAB-D3NNA3A/I

Product Code:CA478N01400

EV Chart:GWH07AAAK3NNA1AI.BZ000000.20161010.pdf



NO.	Part Description	qty	Part Code
1	Front Panel Assy	1	000003000147
2	Display Board	1	300001000041
3	Front Case	1	20000200000701
4	Axile Bush	1	10542036
5	Helicoid Tongue	1	200006000002
6	Left Axile Bush	1	10512037
7	Rear Case assy	1	000001000004
8	Cross Flow Fan	1	10352066

9	O-Gasket sub-assy of Bearing	1	7651205102
10	Ring of Bearing	1	26152022
11	Evaporator Support	1	200025000002
12	Evaporator Assy	1	01100100014301
13	Fan Motor	1	1501208908
14	Wall Mounting Frame Sub-assy	1	017211000005
15	Connecting pipe clamp	1	200017000001
16	Rubber Plug (Water Tray)	1	76712012
17	Stepping Motor	1	1521210811
18	Crank	1	73012005
19	Drainage Hose	1	0523001408
20	Electric Box Cover2	1	200082000005
21	Electric Box Assy	1	100002001969
22	Terminal Board	1	42010276
23	Main Board	1	30135000146
24	Power Cord	1	4002048739
27	Remote Controller	1	305001000009