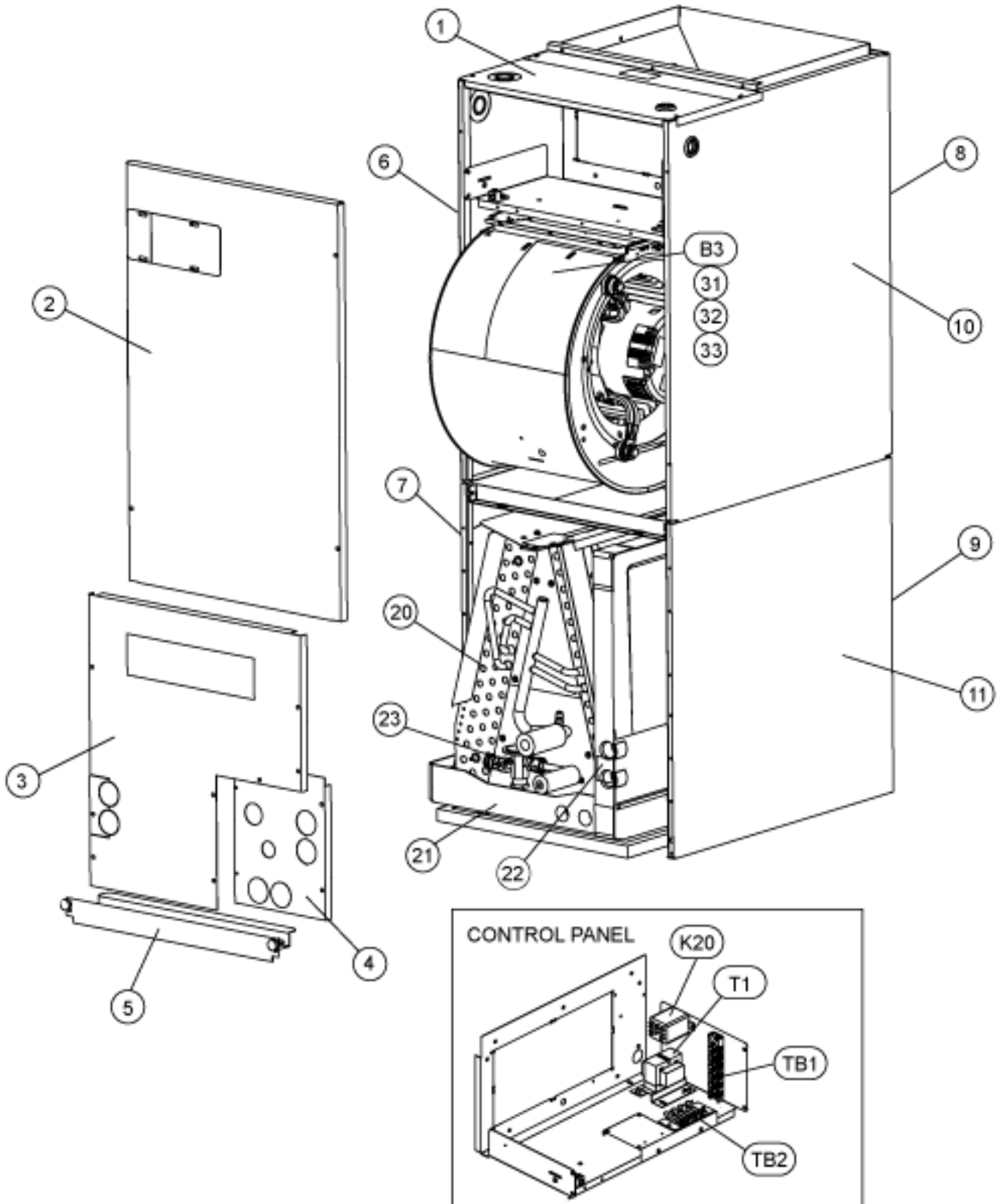


CB27UH / CBX27UH



CBX27UH-018-230				DASH/Revision # with Qty	
Key	Part Name	Part Number	Description	1	2
Category:CABINET PARTS					
1	CAP-CABINET	LB-107656DL	TOP CAP	1	1
10	WRAPPER	LB-107656EX	TOP-RIGHT	1	1
11	WRAPPER	LB-107656FG	BOTTOM-RIGHT	1	1
2	PANEL	LB-107656EP	BLOWER	1	1
3	PANEL	LB-107656ES	PLUMBING	1	1
4	PLATE	LB-107656DW	PATCH PLATE	1	1
5	PANEL	LB-107656DN	FILTER ACCESS W/SPACER	1	1
			FILTER-AIR"20"" X 20"" X 1""	1	1
	KIT-HARDWARE	LB-110418A	PKG OF 10 FOR FILTER DOOR	1	1
6	WRAPPER	LB-107656EW	TOP-LEFT	1	1
7	WRAPPER	LB-107656FF	BOTTOM-LEFT	1	1
8	WRAPPER	LB-107656FD	TOP-REAR	1	1
9	WRAPPER	LB-107656FE	BOTTOM-REAR	1	1
Category:COOLING PARTS					
20	COIL-INDOOR	LB-90287R	W/MANIFOLD	1	1
	SEAL-COIL	600580-01	FRONT-TOP	1	1
	SEAL-COIL	LB-113220	FRONT-BOTTOM	1	1
	SEAL-COIL	LB-88436	TOP	1	1
	SEAL-COIL	LB-88615	REAR	1	1
21	PAN-DRAIN	LB-90788B	PAN-DRAIN	1	1
	CHANNEL	LB-88628	DRAIN	1	1
	CHANNEL	LB-88651	CONDENSATE	1	1
22	PAN-DRAIN	93J5801	(HORIZONTAL)	1	1
23	VALVE-EXPANSION	49L2401	VALVE-EXPANSION/CHECK-R410A	1	1

CBX27UH-018-230				DASH/Revision # with Qty	
Key	Part Name	Part Number	Description	1	2
			DISTRIBUTOR ASSY(FOOTNOTE 1)	1	1
	LIQUID LINE KIT	LB-95325A	"INCL 10 LIQUID LINES, WASHER S & NUTS"	1	1
	WASHER KIT	49J2301PR	PKG(12)	1	1
Category:CONTROL PANEL PARTS					
F1	FUSE 3 AMP 32 VOLT	25J4901	TRANSFORMER-3 AMP	1	1
J2	HARNESS-WIRING	LB-112643	9 CIRCUIT (7 WIRES)	1	
J46	HARNESS-WIRING	101190-01	HIGH VOLTAGE (4 WIRES)	1	
J46	HARNESS-WIRING	101190-02	HIGH VOLTAGE (4 WIRES)		1
J49	HARNESS-WIRING	101189-01	SPEED TAP (5 WIRES)	1	1
K20	RELAY	49K0401	"ID BLR,DPDT,240V"	1	1
P2	HARNESS-WIRING	LB-74237	"ASSY #1, 9 CIRCUIT (2 WIRES)"	1	1
P46	HARNESS-WIRING	LB-74936	POWER (4 WIRES)		1
T1	TRANSFORMER	51M1101	"208/230V PRI,24V SEC,70VA L/F USE"	1	
T1	TRANSFORMER, 24V, 70VA W/3.2A CB	101192-01	"208/230V PRI,24V SEC,70VA L/F USE"		1
TB1	STRIP-TERMINAL	100615-06	6 POSITION	1	1
TB2	STRIP-TERMINAL	100615-04	4 POSITION	1	1
Category:BLOWER PARTS					
31	HOUSING-BLOWER	LB-74786A	BLOWER HOUSING SA	1	1
32	PLATE-CUTOFF	LB-89876	CUTOFF PLATE	1	1
33	WHEEL-BLOWER	LB-29333BJ	"1/2""BORE,10"" X 8""	1	1
B3	MOTOR-BLOWER	101207-01	"1/2HP,1200RPM,208-230/60/1 PROGRAMABLE	1	1
	ARM-MOTOR MTG	98G2201	MOTOR MTG. ARM	3	3
	BAND-MOTOR	62A5701	MOTOR MTG	1	1
	GROMMET	43H8101	GROMMET	3	3

NOTE

DISTRIBUTOR ASSEMBLIES ARE NOT SET UP AS A REPAIR PART. IF COIL HAS MULTIPLE LEAKS IN THE DISTRIBUTOR AS