



www.Source1Parts.com

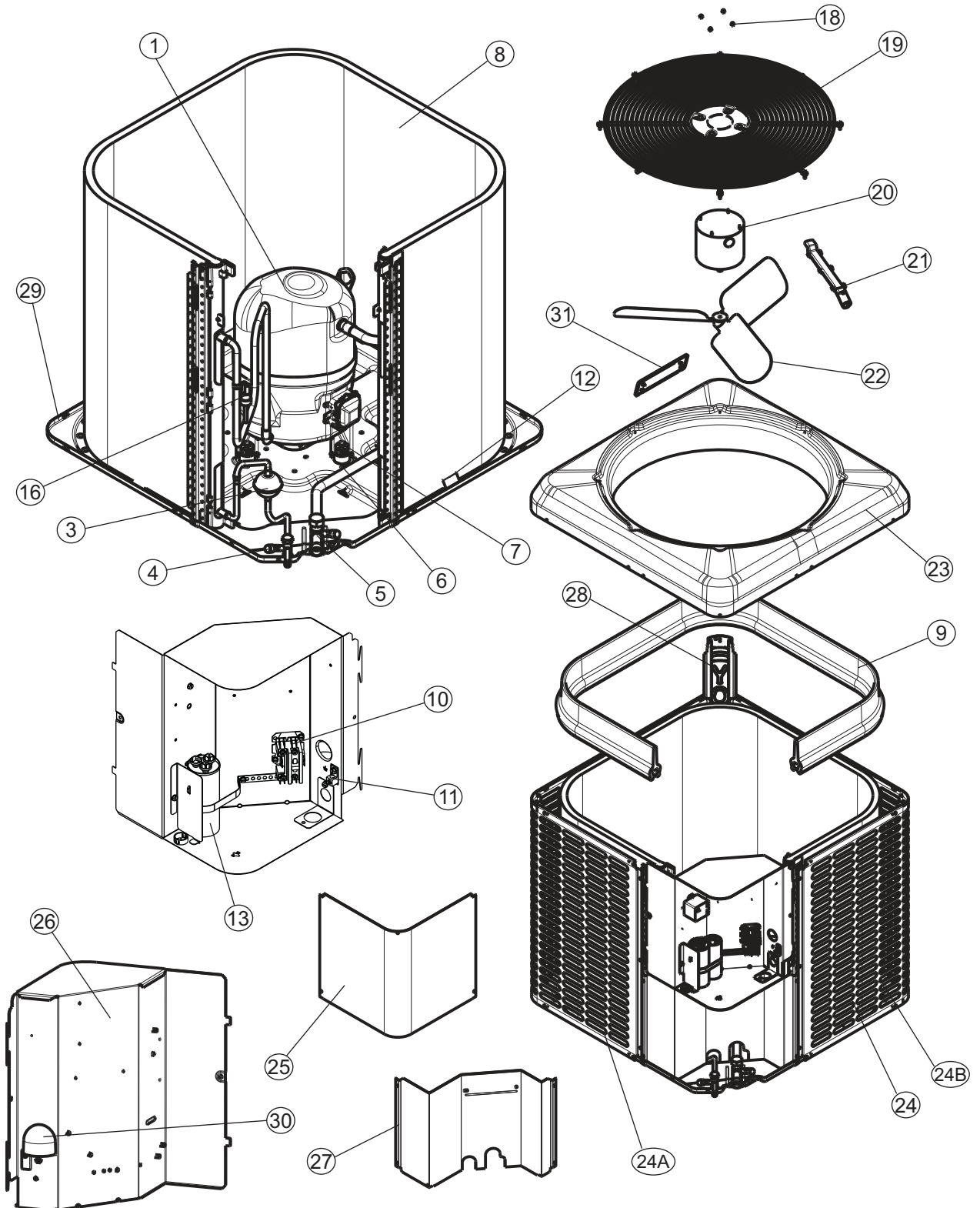
HVAC SERVICE PARTS

YCD SERIES - MICROCHANNEL 13 SEER AIR CONDITIONER - R410A (STYLE A)

Supersedes:035-24556-001 Rev. B (0317)

035-24556-001 Rev. C (1217)

1 of 4



ITEM	DESCRIPTION	YCD18B21SA	YCD24B21SA	YCD30B21SA	YCD36B21SA
1	Compressor	S1-01504819004	S1-01504823004	S1-01504782001	S1-01504821004
2					
3	Filter Drier	S1-400503	S1-400503	S1-400503	S1-400503
4	Base Valve (3/8") (Liquid)	S1-02322459000	S1-02322459000	S1-02322459000	S1-02322459000
5	Base Valve (3/4") (Suction)	S1-02322460000	S1-02322460000	S1-02322460000	S1-02322460000
6	Compressor Mount (Pkg. of 4)	S1-02809519000	S1-02809519000	S1-02809519000	S1-02809519000
7	Bolt, Compressor (4 Req'd)	S1-02131417000	S1-02131417000	S1-02131417000	S1-02131417000
8	Outdoor Coil Assembly	S1-37339421006	S1-37339421007	S1-37339421008	S1-37339413001
9	Molded Foam, Outdoor Coil	S1-02817066000	S1-02817066000	S1-02817066000	S1-02817066000
10	Contactora (30 amp)	S1-02427531000	S1-02427531000	S1-02427531000	S1-02427531000
11	Lug, Ground	S1-02521798000	S1-02521798000	S1-02521798000	S1-02521798000
12	Mount, Coil (6 Req'd)	S1-02817063000	S1-02817063000	S1-02817063000	S1-02817063000
13	Dual Capacitor (30/5 MFD)	S1-02424778700	---	---	---
	Dual Capacitor (35/5 MFD)	---	S1-02425859700	---	---
	Dual Capacitor (40/5 MFD)	---	---	S1-02425894700	---
	Dual Capacitor (45/5 MFD)	---	---	---	S1-02425120700
14					
15					
16	Switch, Pressure (High)	S1-02546848000	S1-02546848000	S1-02546848000	S1-02546848000
17*	Mount, Stand-off, Coil Guard (2 Req'd)	S1-02817062000	S1-02817062000	S1-02817062000	S1-02817062000
18	Kit, Motor Mounting (Acorn Nuts)	S1-36390117700	S1-36390117700	S1-36390117700	S1-36390117700
19	Guard, Fan	S1-02647768000	S1-02647768000	S1-02647768000	S1-02647768000
20	Motor, Fan	S1-02436228000	S1-02436228000	S1-02436228000	S1-02436243000
21	Wireway	S1-02816467000	S1-02816467000	S1-02816467000	S1-02816467000
22	Blade, Fan	S1-02642444000	S1-02634754000	S1-02634754000	S1-02634092000
23	Top	S1-07339395001	S1-07339395001	S1-07339395001	S1-07339395001
24	Panel, Coil Guard (2 Req'd)	S1-07339398032	S1-07339398034	S1-07339398036	S1-07339398001
25	Cover, Control Box	S1-07339400001	S1-07339400001	S1-07339400001	S1-07339400001
26	Box, Control	S1-07339396001	S1-07339396001	S1-07339396001	S1-07339396001
27	Panel, Block-Off	S1-07339399017	S1-07339399020	S1-07339399022	S1-07339399001
28	Post, Corner	S1-07339401012	S1-07339401014	S1-07339401001	S1-07339401002
29	Pan, Base	S1-07339397001	S1-07339397001	S1-07339397001	S1-07339397001
30	Gasket, Rain Guard	S1-02817106000	S1-02817106000	S1-02817106000	S1-02817106000
31	Badge, Branding	S1-02816476000	S1-02816476000	S1-02816476000	S1-02816476000
32*	Harness, Wire, AC	S1-02547245000	S1-02547245000	S1-02547245000	S1-02547245000
33					
34*	Harness, Wiring (6 Pin)	---	---	---	---
35*	Harness, Compressor	S1-02531884000	S1-02531884000	S1-02531884000	S1-02531884000
36*	Orifice, Refrigerant (0.047)	S1-02926855000	---	---	---
	Orifice, Refrigerant (0.057)	---	S1-02926856000	---	---
	Orifice, Refrigerant (0.063)	---	---	S1-02926857000	---
	Orifice, Refrigerant (0.067)	---	---	---	S1-02926858000
37*	Wiring Diagram	1183564	1183564	1183564	1183564

NOTE: *Not ShownNew replacement parts shown in **bold** face type at the first printing of parts list dated 12/17.

Major components and suggested stocking items are shown with shaded item number.

"←" Across from row indicates a change in that row.

--- Not applicable to specified model.

ITEM	DESCRIPTION	YCD42B21SA	YCD48B21SA	YCD60B21SA
1	Compressor	S1-01504822004	S1-01504291004	S1-01503932004
2*	Muffler	S1-02212983000	---	---
3	Filter Drier	S1-400503	S1-400503	S1-400503
4	Base Valve (3/8") (Liquid)	S1-02322459000	S1-02322459000	S1-02322459000
5	Base Valve (7/8") (Suction)	S1-02322461000	S1-02322461000	S1-02322461000
6	Compressor Mount (Pkg. of 4)	S1-02810505000	S1-02810505000	S1-02810505000
7	Bolt, Compressor (4 Req'd)	S1-02131417000	S1-02116047000	S1-02116047000
8	Outdoor Coil Assembly	S1-37339421009	S1-37339413002	S1-37339413003
9	Molded Foam, Outdoor Coil	S1-02817069000	S1-02817069000	S1-02817069000
10	Contactors (30 amp)	S1-02427531000	S1-02427531000	---
	Contactors (40 amp)	---	---	S1-02425837700
11	Lug, Ground	S1-02521798000	S1-02521798000	S1-02521798000
12	Mount, Coil (6 Req'd)	S1-02817063000	S1-02817063000	S1-02817063000
13	Dual Capacitor (45/5 MFD)	S1-02425120700	---	---
	Dual Capacitor (70/5 MFD)	---	S1-02435844000	S1-02435844000
14				
15				
16	Switch, Pressure (High)	S1-02546848000	S1-02546848000	S1-02546848000
17*	Mount, Stand-off, Coil Guard (2 Req'd)	S1-02817062000	S1-02817062000	S1-02817062000
18	Kit, Motor Mounting (Acorn Nuts)	S1-36390117700	S1-36390117700	S1-36390117700
19	Guard, Fan	S1-02647769000	S1-02647769000	S1-02647769000
20	Motor, Fan	S1-02436227000	S1-02436227000	S1-02436244000
21	Wireway	S1-02816468000	S1-02816468000	S1-02816468000
22	Blade, Fan	S1-02634593000	S1-02634593000	S1-02634094000
23	Top	S1-07339395004	S1-07339395004	S1-07339395004
24	Panel, Coil Guard (2 Req'd)	S1-07339398038	S1-07339398003	S1-07339398005
25	Cover, Control Box	S1-07339400004	S1-07339400004	S1-07339400004
26	Box, Control	S1-07339486001	S1-07339486001	S1-07339486001
27	Panel, Block-Off	S1-07339399024	S1-07339399009	S1-07339399007
28	Post, Corner	S1-07339401014	S1-07339401001	S1-07339401003
29	Pan, Base	S1-07339397002	S1-07339397002	S1-07339397002
30	Gasket, Rain Guard	S1-02817106000	S1-02817106000	S1-02817106000
31	Badge, Branding	S1-02816476000	S1-02816476000	S1-02816476000
32*	Harness, Wire, AC	S1-02547245000	S1-02547245000	S1-02547245000
33				
34*	Harness, Wiring (6 Pin)	---	---	---
35*	Harness, Compressor	S1-02531884000	S1-02541088000	S1-02541088000
36*	Orifice, Refrigerant (0.073)	S1-02926859000	---	---
	Orifice, Refrigerant (0.077)	---	S1-02926860000	---
	Orifice, Refrigerant (0.084)	---	---	S1-02926861000
37*	Wiring Diagram	1183564	1183564	1183564

NOTE: *Not ShownNew replacement parts shown in **bold** face type at the first printing of parts list dated 12/17.

Major components and suggested stocking items are shown with shaded item number.

"←" Across from row indicates a change in that row.

--- Not applicable to specified model.

TO ORDER AUTHORIZED FACTORY REPLACEMENT PARTS - Contact your Source1 HVAC Parts Distributor or visit our website at www.Source1Parts.com for a Distributor and Dealer listing.